

INSTALLATION INSTRUCTIONS FOR INSTALLING A TRAY CHAIN ASSEMBLY REPLACEMENT KIT IN A NATIONAL VENDORS®, CROWN SEVENTY TWO®, EPM-72 ELECTRIC PASTRY MERCHANDISER

These instructions cover the procedure for installing a Tray Chain Assembly Replacement Kit in a Crown Seventy Two EPM-72 Electric Pastry Merchandiser.

Read these instructions carefully and thoroughly before installing the Kit. Retain these instructions for part number and installation information.

Kit, Part Number 139-6055, contains the following parts:

Part Number	Description	Quantity
139-6008	1.419 Tray Chain Assembly	1
139-6054	Idler Expander Ring	2
139-6056	Installation Instructions * * *	1

TO INSTALL THE KIT

A. PARTS REMOVAL

1. Disconnect the Merchandiser's electrical Service Cord from the wall receptacle.

WARNING

Be sure the Door Support Leg is secured in the down position to prevent the Merchandiser from tipping over.

2. Unlock and open the Cabinet Door.

WARNING

When rotating the Delivery Mechanism, grasp the red Handle on the Delivery Mechanism with one hand only.

3. Rotate the Delivery Mechanism out of the Merchandiser.
4. Disconnect the Gear Train Harness Plug from its receptacle. See Figure 1.
5. Grasp the Detent Retractor and rotate the Retractor upward until the Retractor locks into position horizontally. See Figure 2.

WARNING

Spring tension must be overcome to rotate the Detent Retractor. Always handle the Retractor firmly to avoid becoming pinched when the Retractor Locks into position.

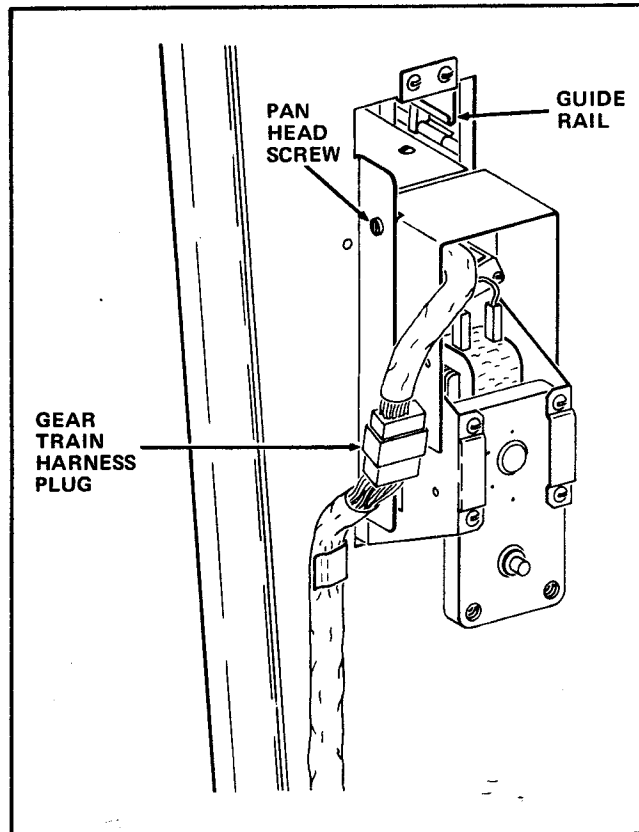


FIGURE 1

6. Remove the four Pan Head Screws that secure the Gear Train Assembly to the Delivery Mechanism.

NOTE

There are two Screws at each end of the Gear Train Assembly.

7. Carefully raise the Gear Train by grasping both ends and position the Formed Edge of the Gear Train Channel into the Guide Rail. See Figure 2.
8. Remove the Gear Train by sliding the Gear Train from the Delivery Mechanism Guide Rail.

NOTE

To facilitate removal while suspended on the Guide Rail, the Gear Train should be pivoted toward the hinged side of the Delivery Mechanism. The Gear Train Pinion Gears are then free of the Delivery Tray Chain.

9. Remove the defective Tray Chain Assembly from the Merchandiser. See Figure 3.

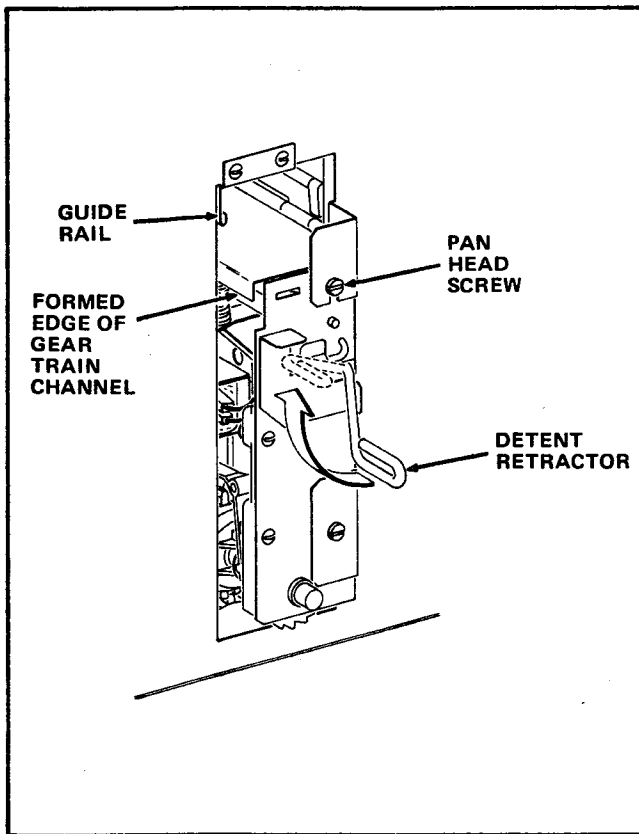


FIGURE 2

NOTE

If replacing the Tray Chain Assembly on the end, only that Tray Chain Assembly has to be removed. If replacing the second Tray Chain Assembly from the end, the first and second Tray Chain Assembly has to be removed. All three Tray Chain Assemblies have to be removed if replacing the third Tray Chain Assembly from the end.

- a. Lift up on the Tray Latch Lever and move the Delivery Tray to the Delivery Position.
 - b. Locate the Master Link connecting one end of the defective Tray Chain Assembly to the other, and separate the Tray Chain by removing two No.10-24 Round Hd. Screws.
 - c. Carefully pull the Tray Chain Assembly out of the Delivery Mechanism.
10. Remove the 5/8-11 NC Lock Nut securing the Sprocket Mounting Shaft to the Delivery Mechanism Sidewall closest to the column which contained the defective Tray Chain Assembly. See Figure 4.
 11. Slide the Spocket Mounting Shaft back until the end of the Shaft is flush with Column Divider Assembly immediately past the column which contained the defective Tray Chain Assembly. See Figure 4.

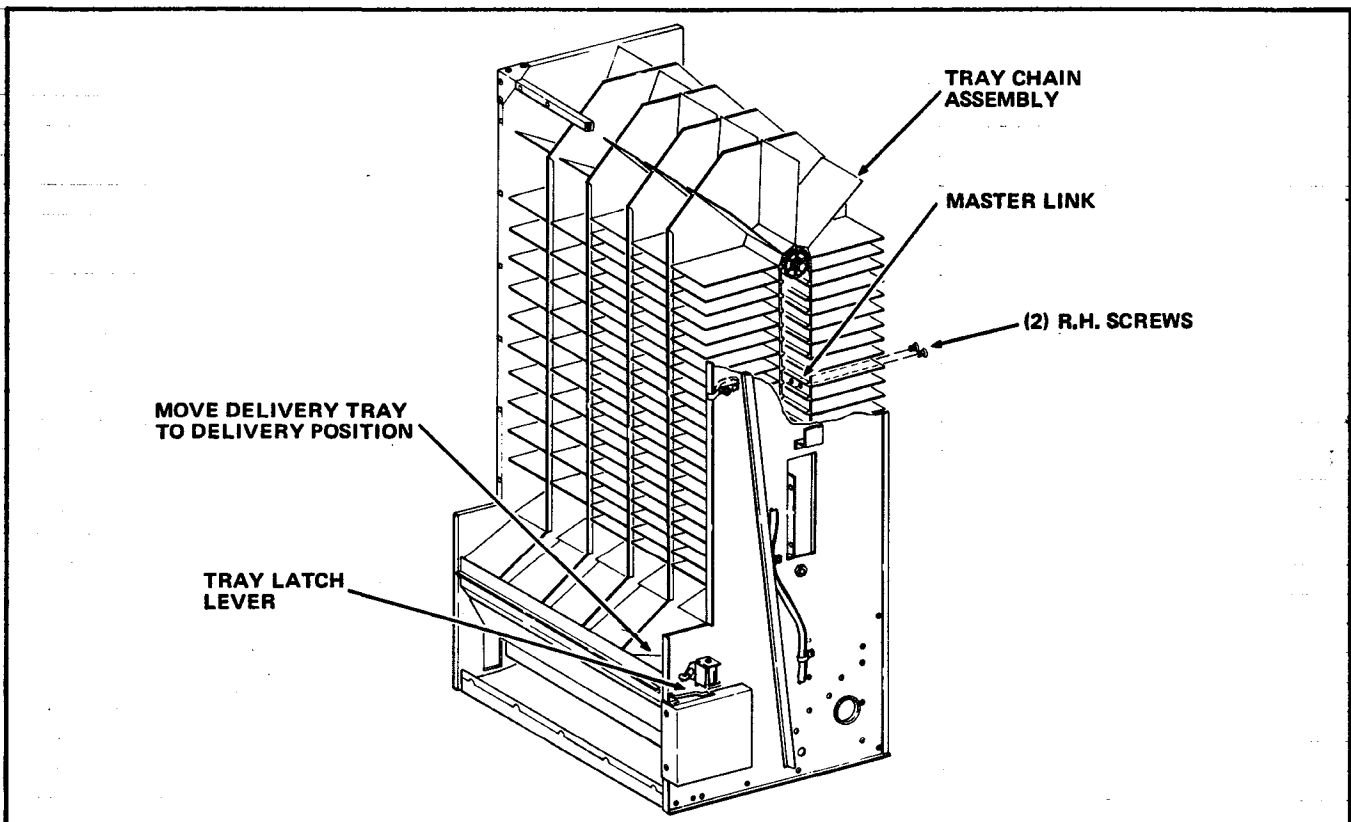


FIGURE 3

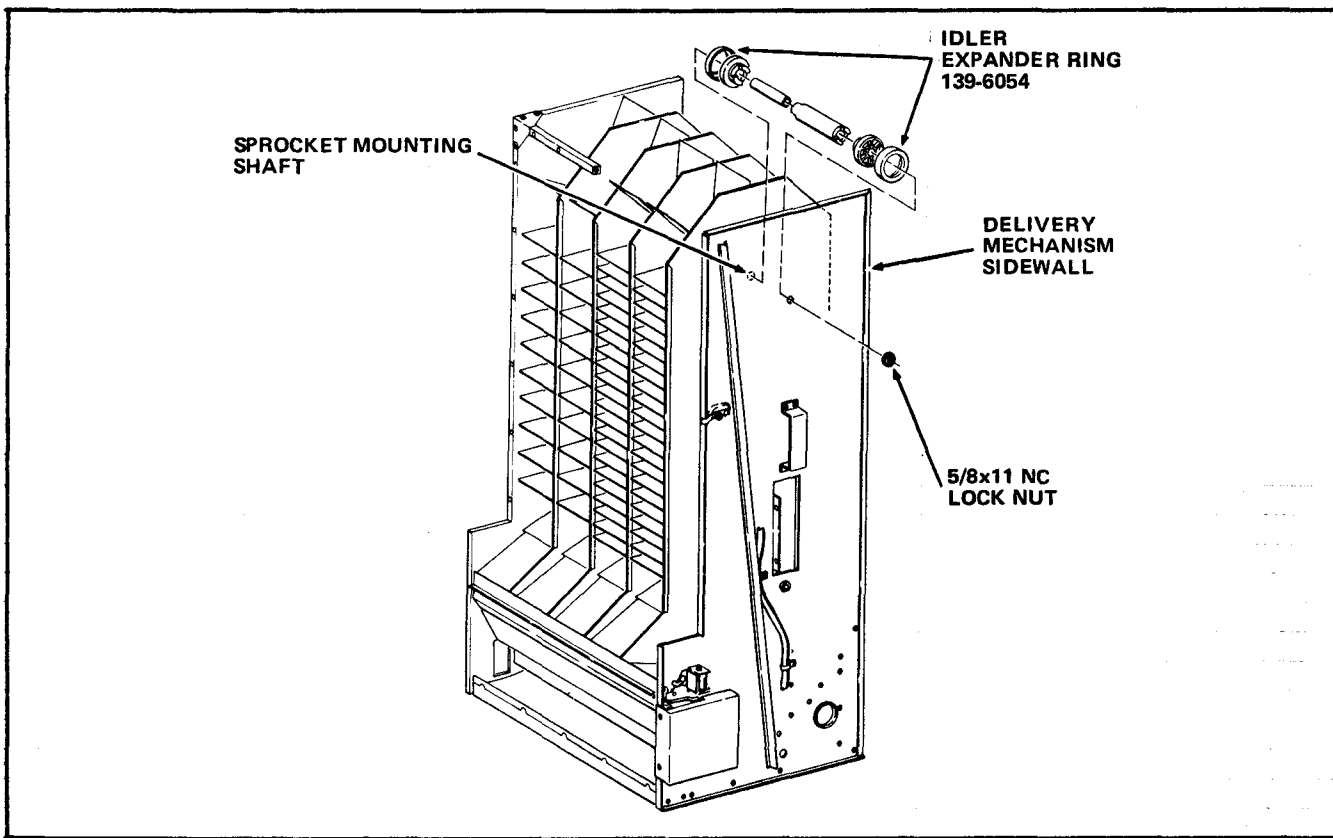


FIGURE 4

NOTE

The Idler Spindle, Sprocket Spacer, and Column Spacer will fall from the Column when the Sprocket Mounting Shaft is removed from a column.

B. INSTALLATION OF THE KIT

1. Fit the two Idler Expander Rings, Part Number 139-6054, over the two Idler Spindles which were removed from the column which contained the defective Tray Chain Assembly. See Figure 4.
2. Install the Column Spacer, Sprocket Spacer, and two Idler Spindles with Idler Expander Rings in the column which contained the defective Tray Chain Assembly and slide the Sprocket Mounting Shaft through the Column Spacer.
3. Perform Step B-2, if necessary, for any other columns. These columns will not require the Idler Expander Rings.
4. Secure the Sprocket Mounting Shaft to the Delivery Mechanism Sidewall using the 5/8-11 NC Lock Nut removed in Step A-10.
5. Install the replacement Tray Chain Assembly, Part Number 139-6008, included in the Kit, by wrapping the Tray Chain Assembly around the top and bottom Mounting Shaft and attaching the ends together using the two Screws removed in Step A-9b.

6. Perform Step B-5 for any other Tray Chain Assemblies which might have to be replaced.
7. Raise the Delivery Tray to the at rest position.
8. Install the Gear Train Assembly back in the Merchandiser by reversing Steps A-4 through A-8.

NOTE

When Gear Train has been replaced and Detent Retractor released, be sure that Tray Chain which has been replaced clicks into home position with Detent Protruding.

WARNING

When rotating the Delivery Mechanism, grasp the red Handle on the Delivery Mechanism with one hand only.

9. Rotate the Delivery Mechanism back in the Merchandiser.
10. Close and lock the Cabinet Door.
11. Connect the Merchandiser's electrical Service Cord to a properly polarized and grounded wall receptacle.